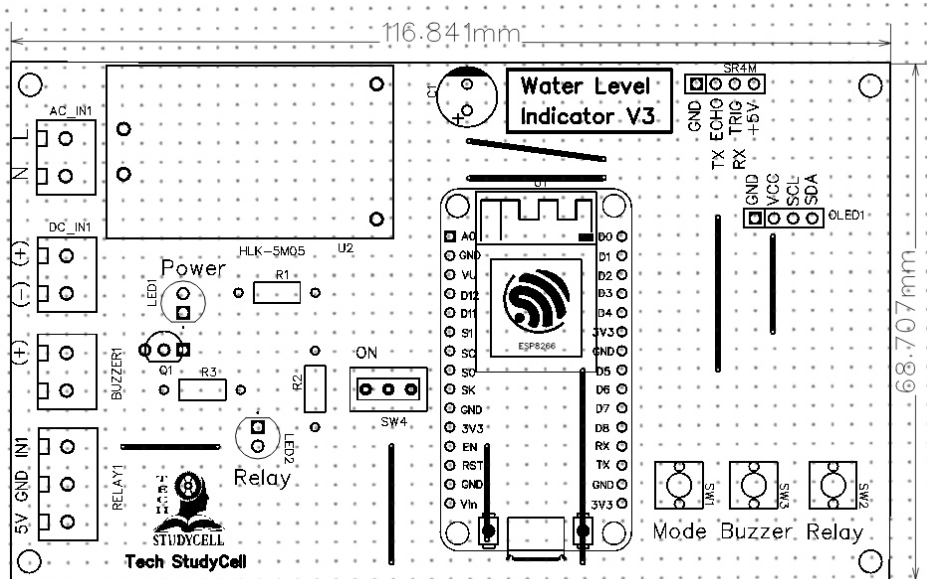
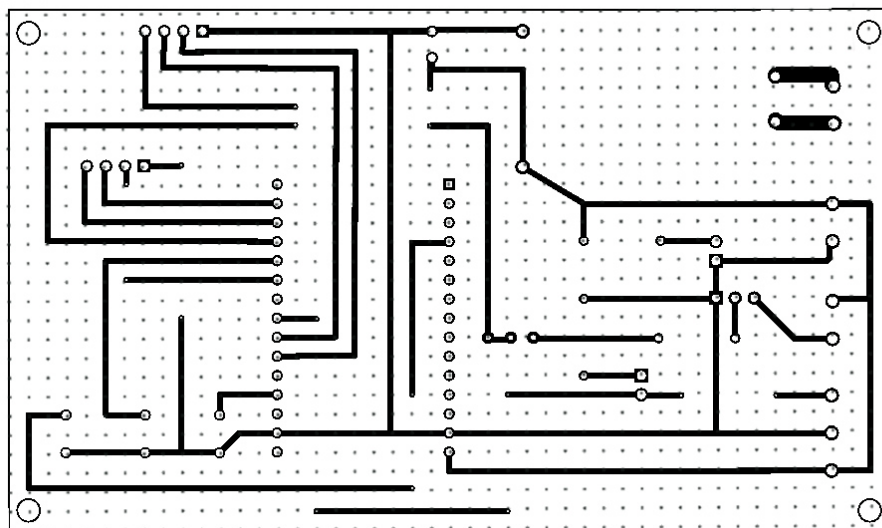


Project: Water Level Indicator using NodeMCU & Ultrasonic Sensor (SR04M)

****Please print this page on A4 page, also check the PCB Layout Dimension.**



PCB Dimension:
Width (X): **116.8 mm**
Height (Y): **68.7 mm**



Related Tutorial Video Link: <https://youtu.be/NHxnWQF2504>

For more such project visit: <https://iotcircuithub.com>

Also Finds Us @

Facebook: <https://www.facebook.com/techstudycell/>

Instagram: <https://www.instagram.com/techstudycell/>

Telegram: <https://t.me/techstudycell/>