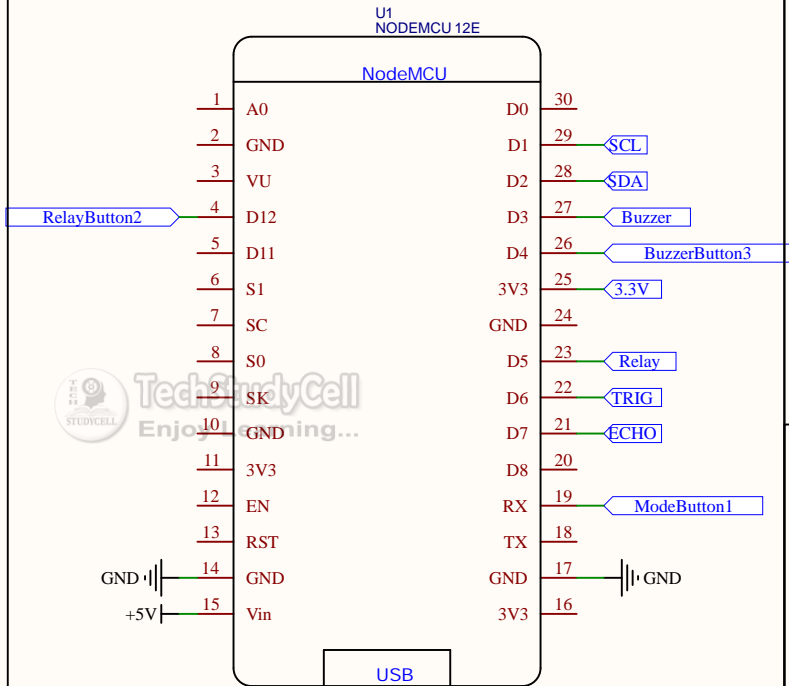
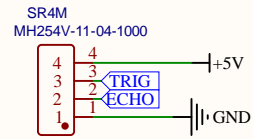


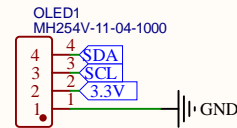
ESP8266 Water Level Indicator V3



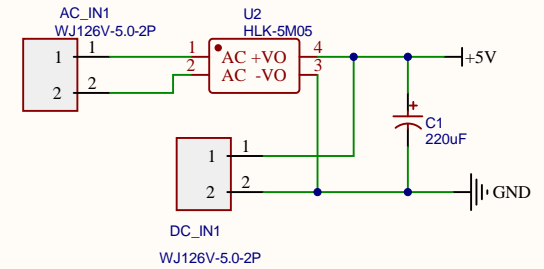
NodeMCU ESP8266



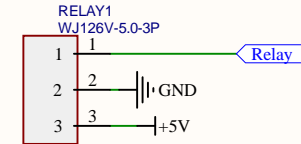
Sensors



OLED

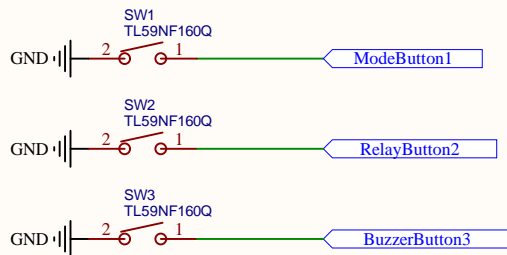


Power Supply

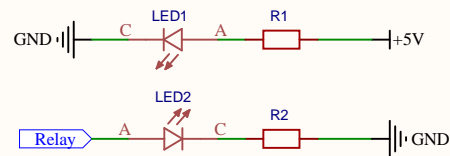


Relay

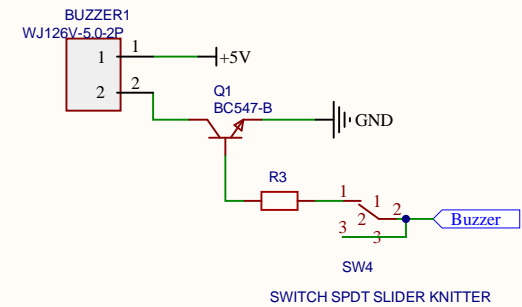
Push Buttons



LEDs



Buzzer



For more such project visit: <https://iotcircuituhub.com>