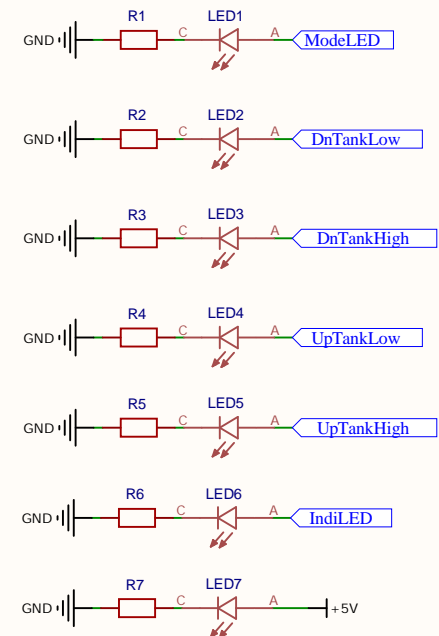


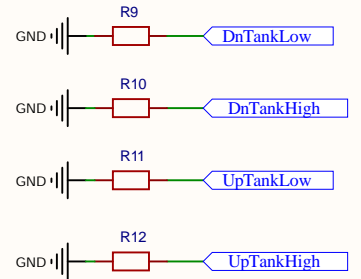
Controller

Power Supply

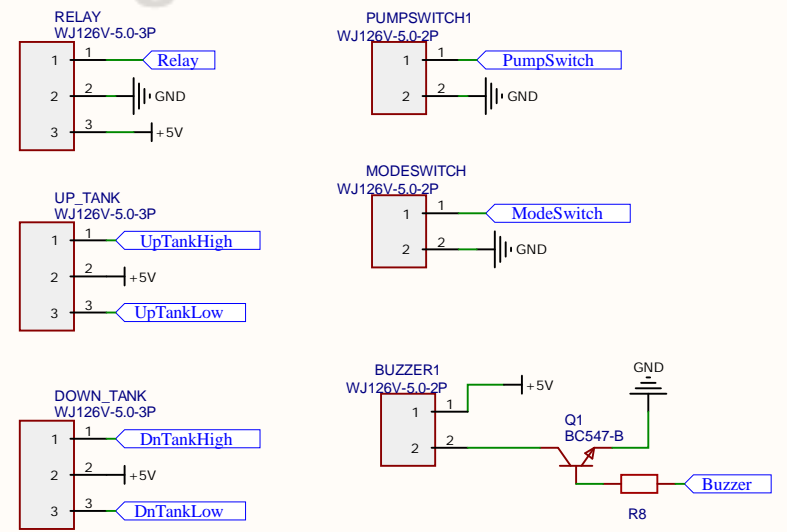
Indicator LEDs



Pulled down Resistors



External connections



Automatic Water Level Controller using Arduino & float sensor