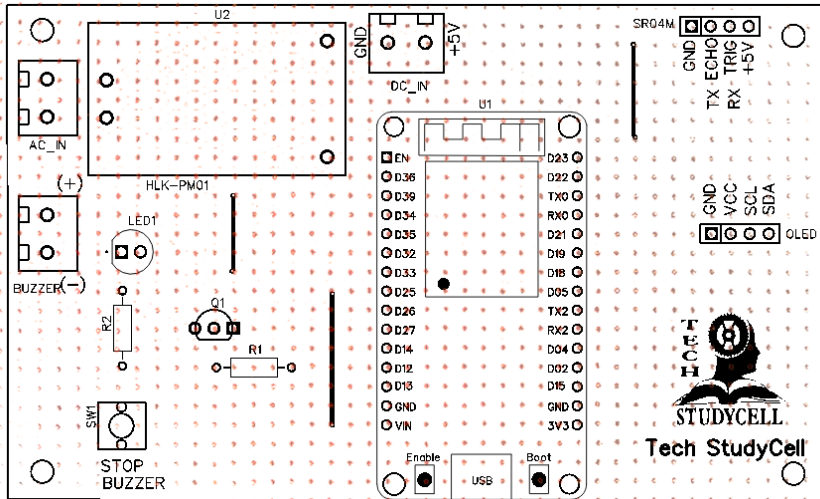
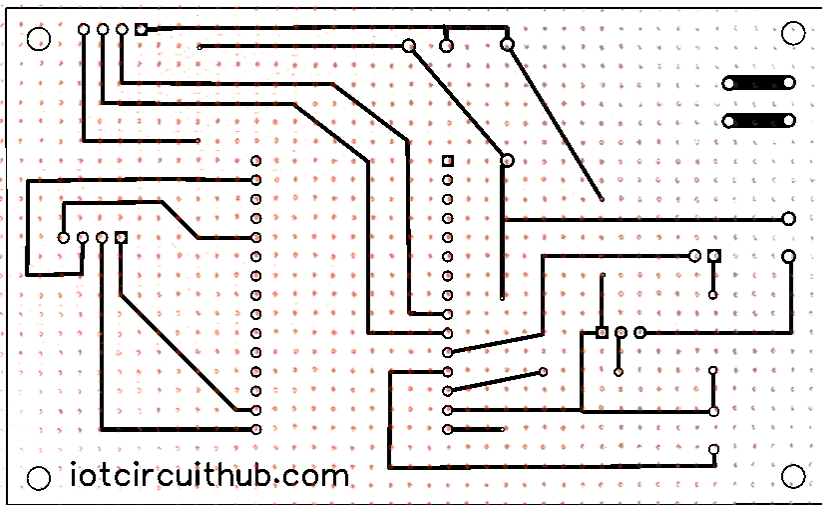


Project: Water Level Indicator using ESP32 & Ultrasonic Sensor (SR04M)

Please print this page on **A4 page, also check the PCB Layout Dimension.



PCB Dimension:
Width (X): 109 mm
Height (Y): 66 mm



Related Tutorial Video Link: <https://youtu.be/9geREeE13jc>

For more such project visit: [https:// iotcircuithub.com](https://iotcircuithub.com)

Also Finds Us @

Facebook: <https://www.facebook.com/techstudycell/>

Instagram: <https://www.instagram.com/techstudycell/>

Telegram: <https://t.me/techstudycell/>